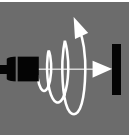


DC 3-/4-wire Inductive Sensors

Cylinder designs, Ø 3 mm



Inductive Sensors

Global DC 3-wire

DC 3-/4-wire

Cylinder Designs

Block Designs

DC 2-wire

AC/DC 2-wire

AC 2-wire

Special Properties

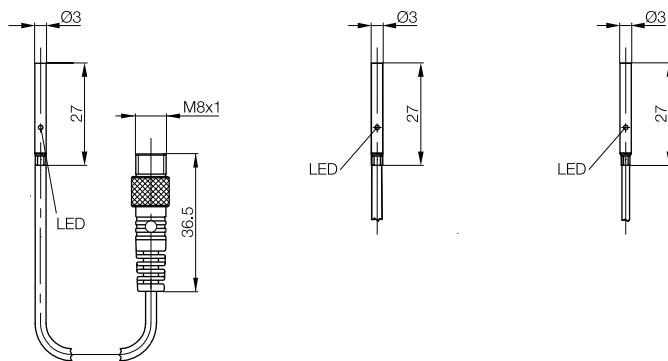
Analog Distance measurement

Special accessories

Model		Ø 3 mm	Ø 3 mm	Ø 3 mm
Installation type (observe instructions in the Basic Information chapter)		Flush	Flush	Flush
Rated switching distance s_n		1 mm	1 mm	1 mm
Assured switching distance s_a		0...0.8 mm	0...0.8 mm	0...0.8 mm
Switching distance marking		■ ■	■ ■	■ ■
PNP, NO	Ordering code	BES00M5	BES00M3	
	Part number	BES 516-3044-G-E4-C-S49-00,3	BES 516-3044-G-E4-C-PU-02	
PNP, NC	Ordering code		BES00M7	
	Part number		BES 516-3045-G-E4-C-PU-02	
NPN, NO	Ordering code			BES00M9
	Part number			BES 516-3046-G-E4-L-PU-02
Supply voltage U_s		10...30 V DC	10...30 V DC	10...30 V DC
Voltage drop U_d at I_e max.		2.5 V	2.5 V	1.5 V
Rated insulation voltage U_i		75 V DC	75 V DC	75 V DC
Rated operating current I_e		100 mA	100 mA	100 mA
Polarity reversal protected/transposition protected/short-circuit protected		Yes/Yes/Yes	Yes/Yes/Yes	Yes/Yes/No
Ambient temperature T_a		-25...+70 °C	-25...+70 °C	0...+70 °C
Switching frequency f max.		2 kHz	2 kHz	5 kHz
Output function indicator		Yellow LED	Yellow LED	Yellow LED
Degree of protection as per IEC 60529		IP 67	IP 67	IP 67
Approvals		CE, cULus	CE, cULus	CE
Special properties		Narrow design	Narrow design	Narrow design
Material	Housing	Stainless steel	Stainless steel	Stainless steel
	Sensing surface	POM	POM	POM
Connection		0.3 m PUR cable with M8 connector, 3-pin	2 m PUR cable, 3×0.1 mm ²	2 m PUR cable, 3×0.1 mm ²

Wiring diagrams, see page 958.
The meaning of switching distance markings can be found on page 962.

Additional cable lengths and PUR cable jacket material available on request



DC 3-/4-wire Inductive Sensors

Cylinder design, Ø 3 mm, Ø 4 mm



TRIPLEPROX

Model		Ø 3 mm	Ø 3 mm	Ø 4 mm
Installation type (observe instructions in the Basic Information chapter)		Not flush	Not flush	Flush
Rated switching distance s_n		3 mm	3 mm	0.8 mm
Assured switching distance s_a		0...2.3 mm	0...2.3 mm	0...0.65 mm
Switching distance marking		■ ■	■ ■ ■	■
PNP, NO	Ordering code	BES00MH	BES00ME	BES0122
	Part number	BES 516-3048-G-E4-C-S26-00,3	BES 516-3048-G-E4-C-PU-02	BES G04EC-PSC08B-S26G
PNP, NC	Ordering code		BES00MJ	BES0120
	Part number		BES 516-3049-G-E4-C-PU-02	BES G04EC-POC08B-S26G
NPN, NO	Ordering code			BES011Y
	Part number			BES G04EC-NSC08B-S26G
NPN, NC	Ordering code			BES011W
	Part number			BES G04EC-NOC08B-S26G
Supply voltage U_s		21.6...26.4 V DC	21.6...26.4 V DC	10...30 V DC
Voltage drop U_d at I_e max.		2.5 V	2.5 V	3 V
Rated insulation voltage U_i		75 V DC	75 V DC	75 V DC
Rated operating current I_e		50 mA	50 mA	100 mA
Polarity reversal protected/transposition protected/short-circuit protected		Yes/Yes/Yes	Yes/Yes/Yes	Yes/Yes/Yes
Ambient temperature T_a		0...+70 °C	0...+70 °C	-25...+70 °C
Switching frequency f max.		3 kHz	3 kHz	3 kHz
Output function indicator		Yellow LED	Yellow LED	Yellow LED
Degree of protection as per IEC 60529		IP 67	IP 67	IP 67
Approvals		CE, cULus	CE, cULus	CE, cULus
Special properties		Narrow design	Narrow design, large switching distance	Narrow design
Material	Housing	Stainless steel	Stainless steel	Stainless steel
	Sensing surface	PET-C	PET-C	PBT
Connection		0.3 m PUR cable with M5 connector, 4-pin	2 m PUR cable, 3x0.1 mm ²	M5 connector, 4-pin

Wiring diagrams, see page 958.
The meaning of switching distance markings can be found on page 962.

Additional cable lengths and PUR cable jacket material available on request

